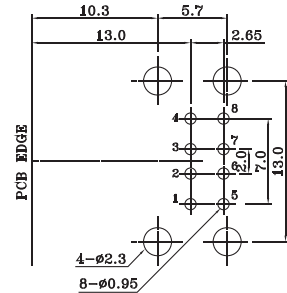
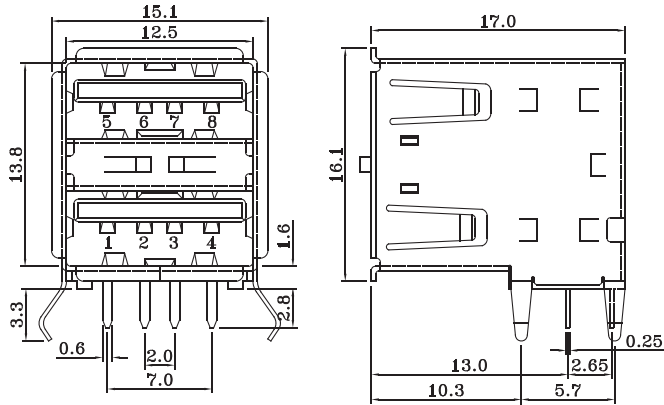


# USB Female 2 Ports A Type



PCB LAYOUT  
(BOTTOM VIEW)

No.	Name	Q'ty	Material	Remarks & Thickness	Finish
1	Housing	1	PBT G.F.		White/Black
2	Pin Term.	8	Copper Alloy T:0.25	Ni:1-5u ; Tin:3u. Gold:1-3u"	Gold/Tin Plated
3	Shell	1	Brass T=0,3	Ni:2-3u	Tin Plated
4	Shell	1	Brass T=03	Ni:2-3u	Tin Plated
5	Shell	1	Spcc,0.3		Nickel Plated

Part No.: USB-002-A  -L

B:Black W:White